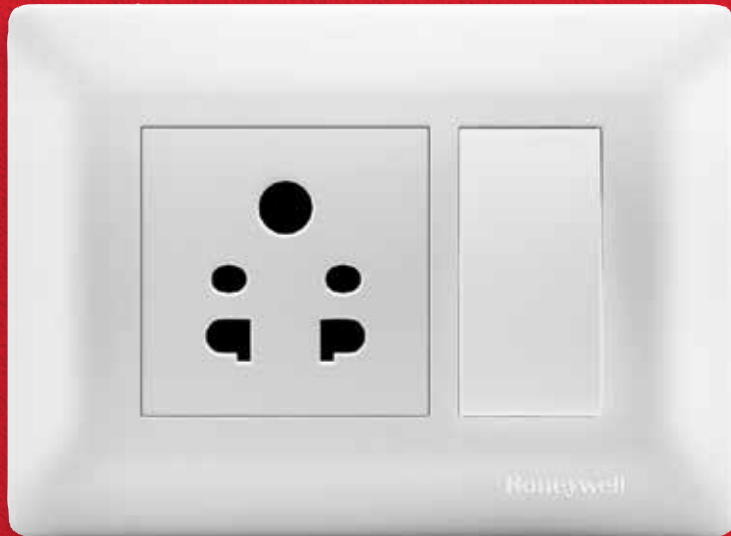


# EVOLVING TO BETTER THINGS

HONEYWELL EVO



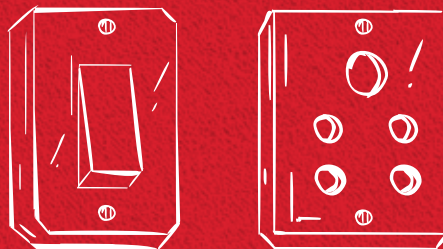
Honeywell

**WE  
GIVE YOU  
THE  
BEST  
OF EVOLUTION**

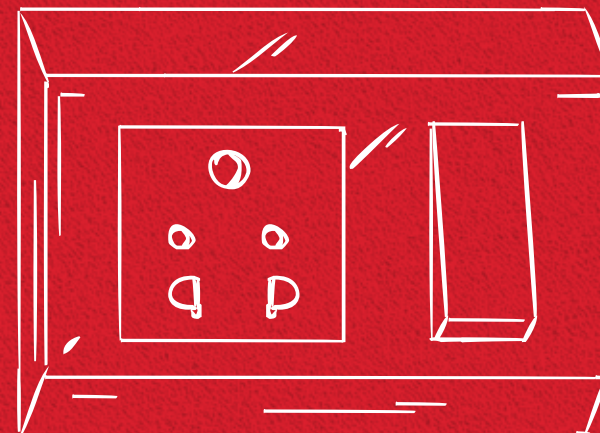




Change is the  
only constant.  
At Honeywell,  
we have taken  
Change head on to  
become the Masters  
to provide ever  
Evolving Wiring  
Devices Solutions.



We continuously  
strive to better our  
products with time  
as technology  
Evolves. And in this  
quest, we give you  
the perfect blend  
of quality, price  
and performance.



**SLEEK  
PLATES  
& GLOSSY  
FINISH**



# AESTHETICS

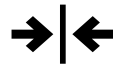
**HONEYWELL EVO**

Evolving to  
Better Things



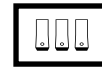
## **PREMIUM GLOSSY FINISH**

Evolution does not mean you leave behind aesthetics. Thus, every inch of the Honeywell Evo Wiring Devices range has a premium glossy finish to amplify your home décor.



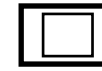
## **SLEEK PLATES**

Smart design is a key feature of Evolution. Honeywell Evo wiring device range boasts of Sleek Front Plates and a Curved Body. Such a unique form reduces dust deposition and ensures that you don't have to keep cleaning it time and again.



## **COLLARLESS MODULAR DESIGN**

We have gone one step beyond the ordinary blueprint of regular switches to craft Honeywell Evo. The secret to Honeywell Evo's superior looks is its Collarless Modular Design that truly sets it apart in its segment.



## **WIDE ROCKER DESIGN**

Wide Rocker complements aesthetics and provides enhanced operating experience thus giving a convenient interface to user.



**SAFE &  
STURDY**

# PERFORMANCE

**HONEYWELL EVO**

Evolving to  
Better Things



## TESTED UPTO 1 LAKH OPERATIONS

Upgradation should ensure a longer life span. Honeywell Evo's enhanced Durability is not just a claim – it has been proved after being Tested for upto 1 Lakh Operations.



## SHOCK PROOF IP20

What is the point of advanced tech, if it's not safe? We have, thus, ingrained Shock Proof IP20 in our new Honeywell Evo Range, to ensure that the terminals are finger proof and prevent shocks.



## SAFETY

We take safety very seriously – not just of our users, but of everyone who might come in contact with our product. Honeywell Evo comes with Shuttered Sockets that prevents accidental contact with live parts, while also preventing dust deposition.



## ISI CERTIFIED

Choosing advanced electrical goods means buying into the promise of better products. Our superior standard of quality has not gone unnoticed. Honeywell Evo **Switches, Sockets and Fan Speed Controller** are BIS approved and have ISI certification.



**EASE OF  
OPERATION**



# CONVENIENCE

**HONEYWELL EVO**

Evolving to  
Better Things



## **EASY INSTALLATION**

Installation and modification should not scare you away anymore. We have evolved the regular system such that with Honeywell Evo's Front Loading and Removal of Accessories, you don't have to unscrew the grid plate – just remove the accessory, do the changes and re-install!



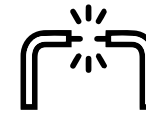
## **BIS APPROVED USB CHARGER**

Providing convenience to our customers has been focal point of Honeywell Evo. Hence we have BIS Approved (IS 13252(Part 1):2010 / IEC60950-1:2005) 2.1A 1Module USB Charger which gives you the convenience to charge your latest gadgets without the hassle of an adapter.



## **USER EXPERIENCE**

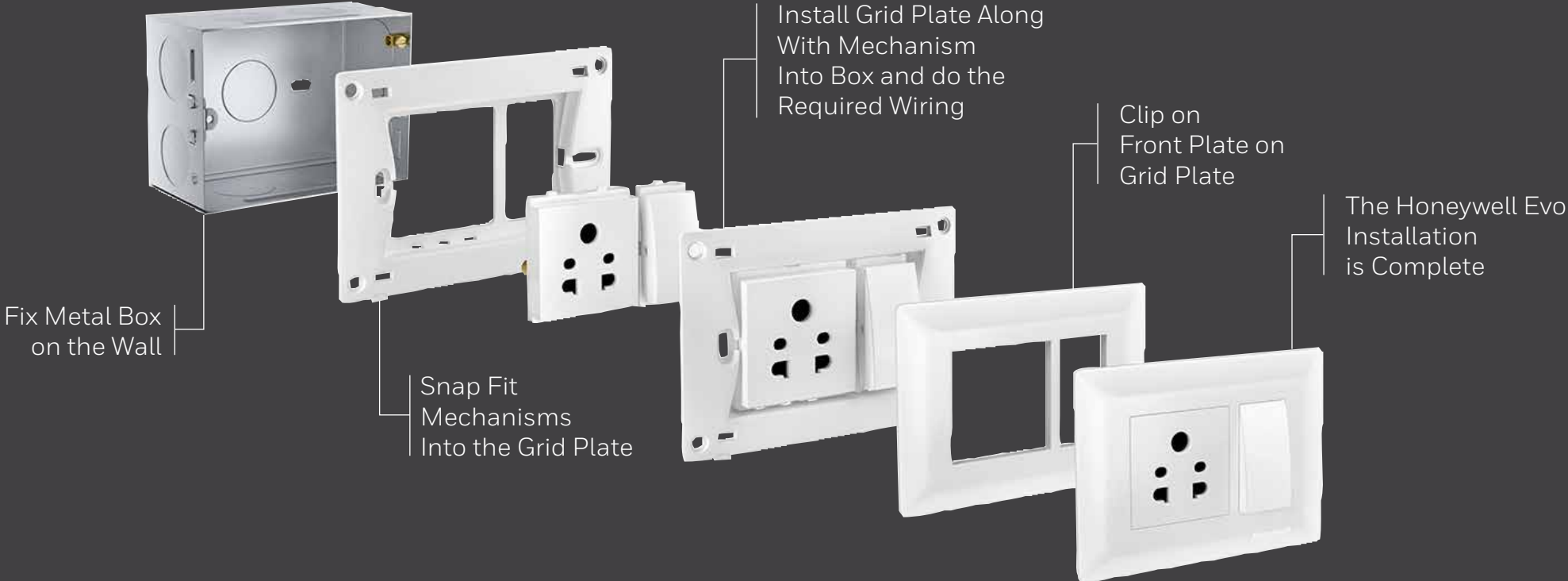
We believe in hassle-free operations, and the structure of Honeywell Evo exhibits just that. All the Accessories of Honeywell Evo range has a Firm Grip on plug's with uniform insertion and withdrawal force to provide a stellar user experience.



## **CAPTIVE SCREW TERMINALS**

No matter who is in-charge of installation, with Honeywell Evo, it is an effortless experience. Honeywell Evo's Captive Screw Terminals avoids slippage and facilitates faster and safer wiring.

# INSTALLATION PROCESS



# HONEYWELL EVO WIRING DEVICES

**HONEYWELL EVO**

Evolving to  
Better Things

## Switches - White

ItemCode	Description	Module	Carton Qty.*
EW501WHI	6AX One Way Switch	1M	20 / 360
EW502WHI	6AX Two Way Switch	1M	20 / 360
EW503WHI	6AX One Way with Indicator	1M	20 / 360
EW411WHI	16AX One Way Switch	1M	20 / 360
EW412WHI	16AX Two Way Switch	1M	20 / 360
EW413WHI	16AX One Way with Indicator	1M	20 / 360
EW220WHI	25A SP Switch with Indicator	1M	20 / 360
EW224WHI	32A DP Switch with Indicator	2M	12 / 216
EW505WHI	6A Bell Push Switch	1M	20 / 360
EW504WHI	6A Bell Push Switch With Indicator	2M	12 / 216

## Sockets - White

ItemCode	Description	Module	Carton Qty.*
EW420WHI	6A Universal Socket	2M	12 / 216
EW421WHI	6A Round Pin Socket (ISI Marked)	2M	12 / 216
EW424WHI	6/16A Socket (ISI Marked)	2M	12 / 216
EW426WHI	International Socket For 6/10/13A	2M	12 / 216
EW425WHI	25A Socket	2M	12 / 216

## Fan Speed Controller And Dimmer - White

ItemCode	Description	Module	Carton Qty.*
EW471WHI	100W 4 Step Fan Speed Controller (ISI Marked)	1M	15 / 270
EW472WHI	120W 5 Step Fan Speed Controller (ISI Marked)	2M	8 / 144
EW480WHI	400W Dimmer	1M	8 / 144

## Mini Trip MCB And Motor Starter - White

ItemCode	Description	Module	Carton Qty.*
EW217WHI	25A Motor Starter	2M	6 / 90
EW227WHI	25A SP Mini Trip MCB	1M	12 / 180
EW228WHI	25A DP Mini Trip MCB	2M	6 / 90

## Communication Accessories - White

ItemCode	Description	Module	Carton Qty.*
EW493WHI	RJ45 CAT 6A	1M	20 / 360
EW491WHI	RJ45 Receptor	1M	20 / 360
EW490WHI	RJ11 2 Line with Shutter	1M	20 / 360

# HONEYWELL EVO WIRING DEVICES

## Support Accessories - White

ItemCode	Description	Module	Carton Qty.*
EW441WHI	Blank Plate	1M	20 / 360
EW462WHI	Satellite Cable TV Outlet	1M	20 / 160
EW451WHI	TV Coaxial Socket Outlet	1M	20 / 160
EW595WHI	Red Neon Indicator	1M	20 / 160
EW530WHI	LED Foot Lamp	2M	1 / 60
EW586WHI	2.1A 1Port USB Charger	1M	15 / 270
EW422WHI	Power Unit (6/16 Socket + 32A DP Switch)	4M	1 / 5

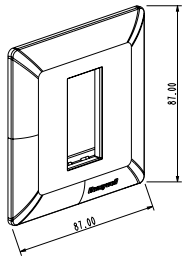
## Front Plates - White

ItemCode	Description	Module	Carton Qty.*
EW101WHI	1 Module Front Plate	1M	10 / 180
EW102WHI	2 Module Front Plate	2M	10 / 180
EW103WHI	3 Module Front Plate	3M	8 / 144
EW104WHI	4 Module Front Plate	4M	8 / 144
EW106WHI	6 Module Front Plate	6M	8 / 80
EW18HWHI	8 Module Horizontal Front Plate	8M	4 / 72
EW18VWHI	8 Module Square Front Plate	8M	4 / 64
EW112WHI	12 Module Front Plate	12M	4 / 40
EW116WHI	16 Module Front Plate	16M	4 / 40
EW118WHI	18 Module Front Plate	18M	3 / 21

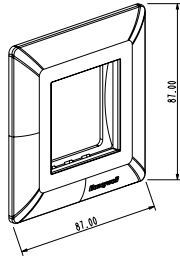
# FRONT PLATES DIMENSIONS

**HONEYWELL EVO**

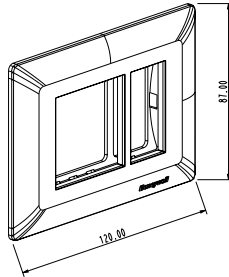
Evolving to  
Better Things



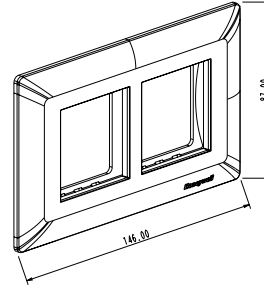
1M



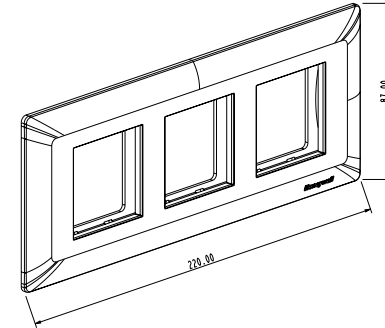
2M



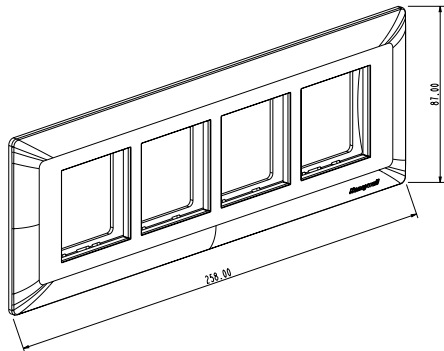
3M



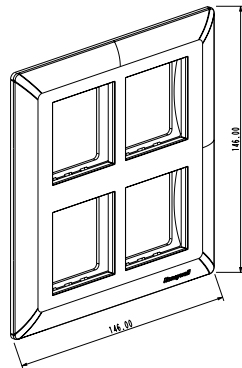
4M



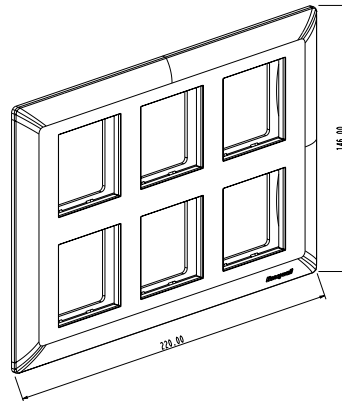
6M



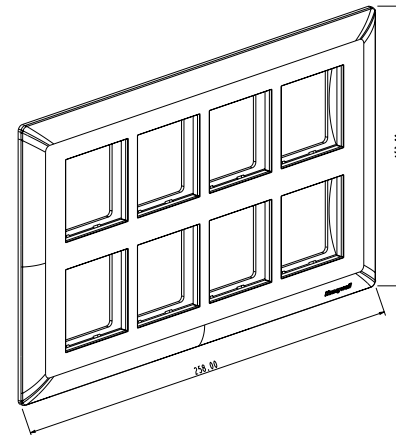
8M (H)



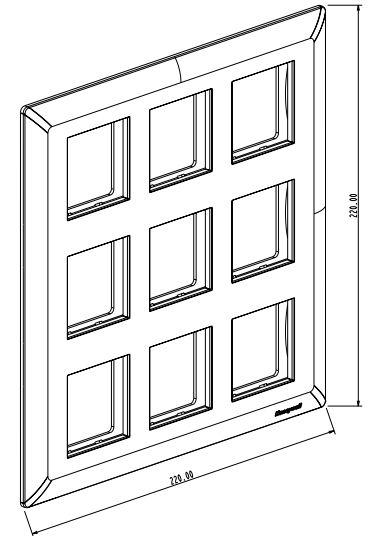
8M (S)



12M



16M

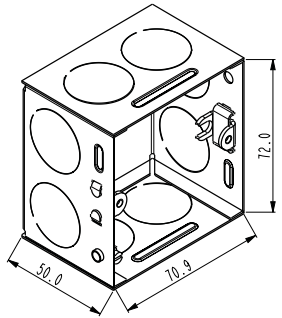


18M

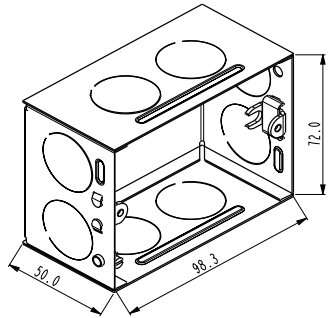
All dimensions are in mm.

# METAL BOXES

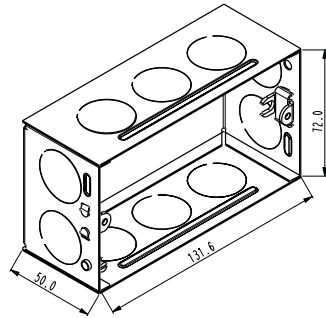
## DIMENSIONS



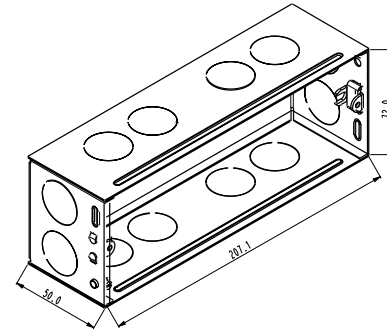
1M & 2M



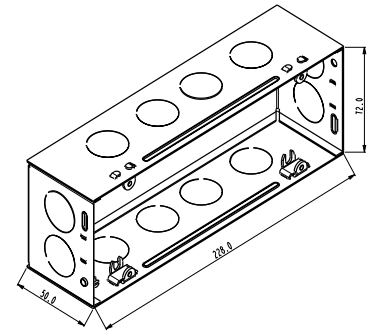
3M



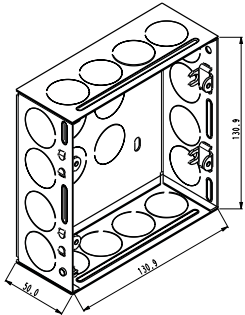
4M



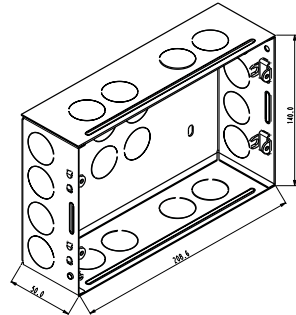
6M



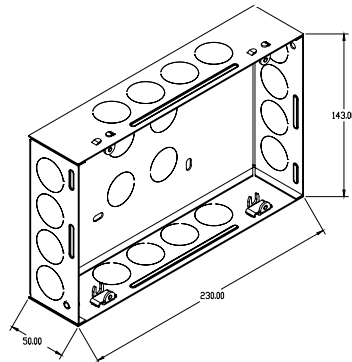
8M (H)



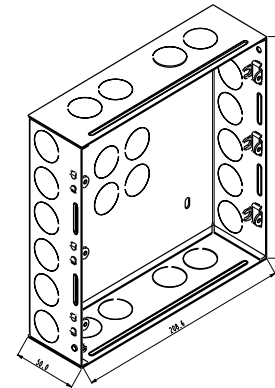
8M (S)



12M



16M



18M

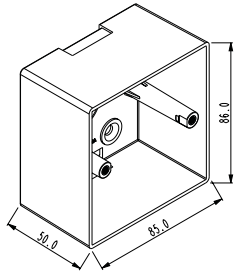
All dimensions are in mm.

# PLASTIC SURFACE BOXES

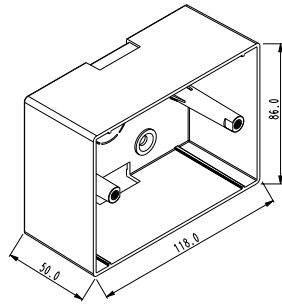
## DIMENSIONS

**HONEYWELL EVO**

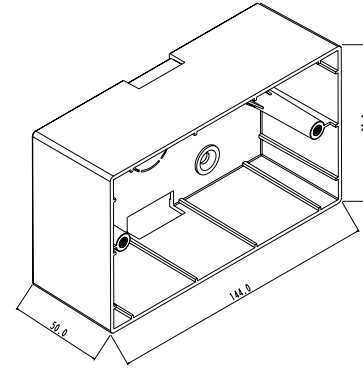
Evolving to  
Better Things



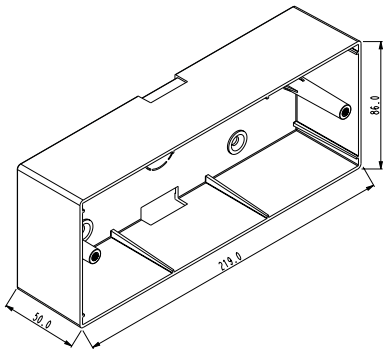
1M & 2M



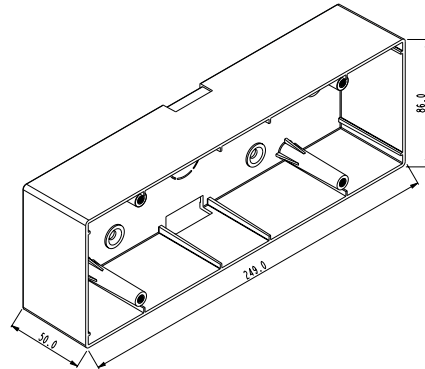
3M



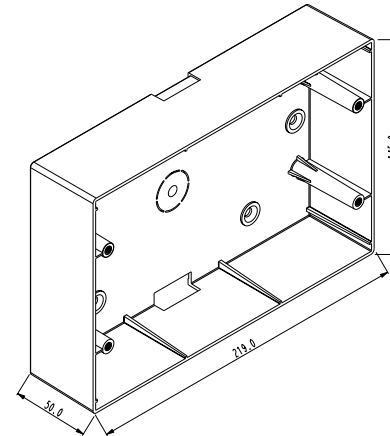
4M



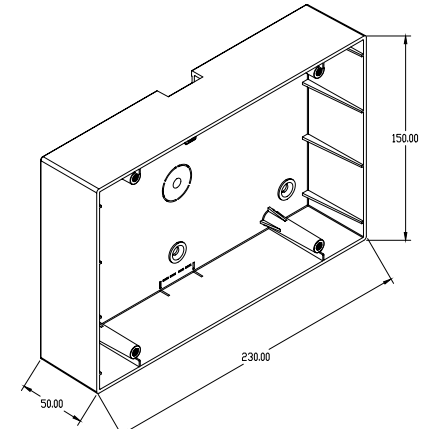
6M



8M



12M



16M

All dimensions are in mm.

## **GURUGRAM**

Unitech Trade Center,  
5<sup>th</sup> Floor, Sector 43, Block C,  
Sushant Lok, Phase 1,  
Gurgaon - 122 022  
Tel: +91-124-4975050  
Fax: +91-124-6715014  
E-mail: eccdelhi@honeywell.com

## **BARODA**

2<sup>nd</sup> Floor, Startrek,  
Opp. Rajlakshmi Complex,  
Old Padra Road,  
Baroda - 390 005  
Tel: +91-265-6699600  
Fax: +91-265-6699610  
E-mail: eccbaroda@honeywell.com

## **MUMBAI**

Eco-elite Building,  
2<sup>nd</sup> Floor,  
Marol Maroshi Road, Marol,  
Next to Zakaria Industrial Estate,  
Andheri (E), Mumbai - 400 059  
Tel: +91-22-67650680/81  
Fax: +91-22-67650682  
E-mail: eccmumbai@honeywell.com

## **FOR FURTHER DETAILS, PLEASE REACH US AT :**

Toll Free Number : 1800-103-3848  
Monday to Saturday : 10AM - 07PM  
Whatsapp : +91 81306-91299  
email : eesteamindia@honeywell.com  
website : honeywellsmarthomes.com

## **PUNE**

Plot No. 56/57,  
Hadapsar Industrial Estate,  
Pune - 411 013  
Tel: +91-20-66039400  
Fax: +91-20-66039800  
Email: eccpune@honeywell.com

## **KOLKATA**

Srijan Techpark,  
8<sup>th</sup> Floor, DN-52,  
Salt Lake, Sector-V,  
Kolkata - 700 091  
Tel: +91-33-66283693/94  
Fax: +91-33-66283701  
E-mail: ecckolkata@honeywell.com

## **BENGALURU**

3<sup>rd</sup> Floor, Chambers @ Mantri,  
Municipal No. 10,  
Richmond Road,  
Bengaluru - 560 025  
Tel: +91-80-67124120/21/22/23  
E-mail: eccbangalore@honeywell.com

## **CHENNAI**

5<sup>th</sup>, 6<sup>th</sup> & 7<sup>th</sup> Floor,  
KRM Plaza, North Tower,  
#2 Harrington Road,  
Chetpet, Chennai - 600031  
Tel: +91-44-66085600  
Email: eccchennai@honeywell.com

## **HYDERABAD**

8-2-418, Krishnama House,  
3<sup>rd</sup> Floor, Road No. 7,  
Banjara Hills,  
Hyderabad - 500 034  
Tel: +91-40-66030900/70  
Fax: +91-40-66030971  
E-mail: ecchyderabad@honeywell.com